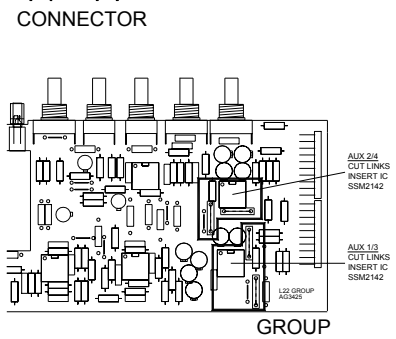
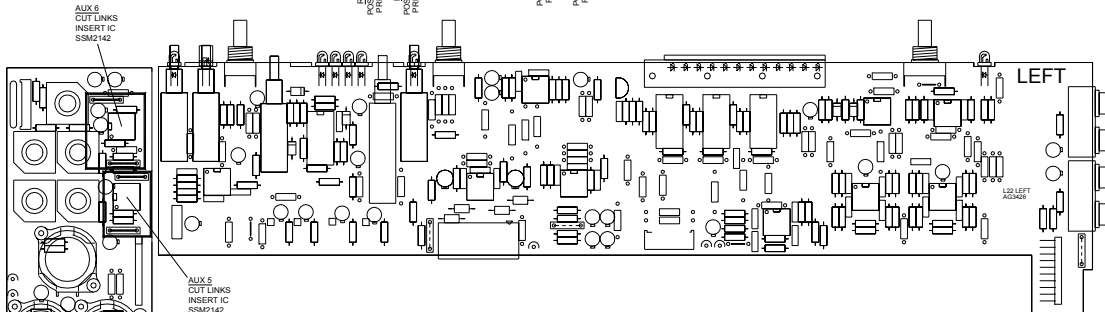
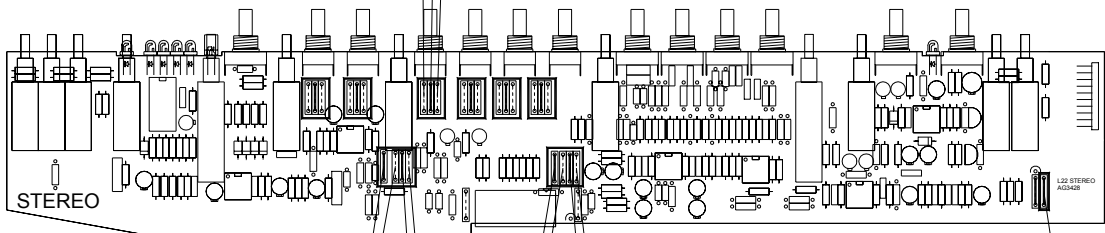
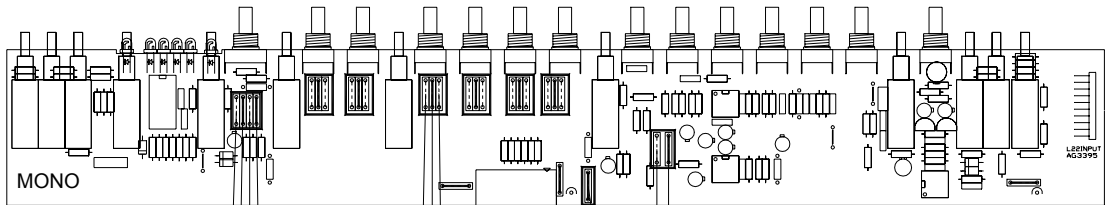


INTERNAL LINK OPTIONS

The console is set to satisfy most applications that should be encountered. However, the following internal link options are offered to provide alternative settings for those applications that may require them. These options involve resoldering of circuit board links and should only be carried out by competent technical personnel. Further information is available in the **GL2200 SERVICE MANUAL** and from your agent.

MONO & STEREO INPUT

1. Reconfigure each aux as required to be **permanently pre-fade or post-fade** rather than switched by the front panel **PRE** switch.
2. Reconfigure the pre-fade sends to be **pre-EQ / pre-mute**, or **post-EQ / pre-mute**, instead of the standard post-EQ / post-mute.
3. **Disable +48V** phantom power regardless of panel switch position - remove link.
4. Reconfigure the Direct Out Source to be **pre-fade or post-fade**.



LEFT & CONNECTOR
 For **Aux out 5 & 6 balance option** with jack output tip = hot, ring = cold. Remove two links and plug in balance driver IC.

GROUP
 For **Aux out 1-4 balance option** with jack output tip = hot, ring = cold. Remove two links and plug in balance driver IC.